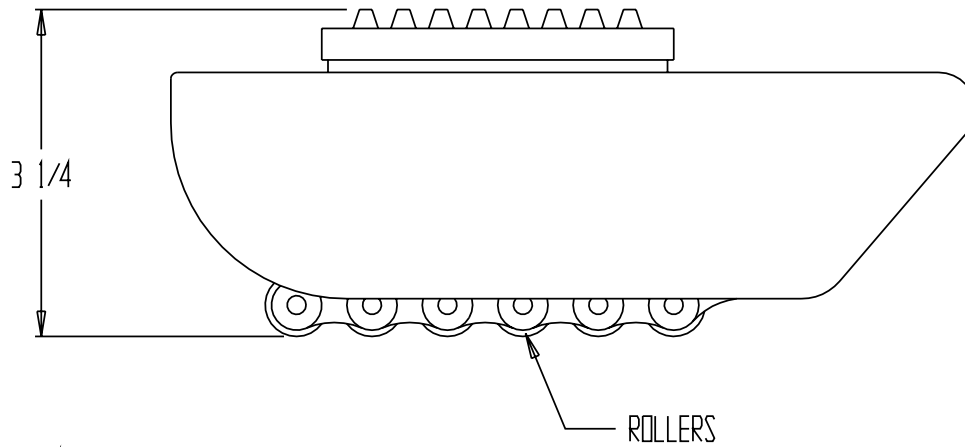
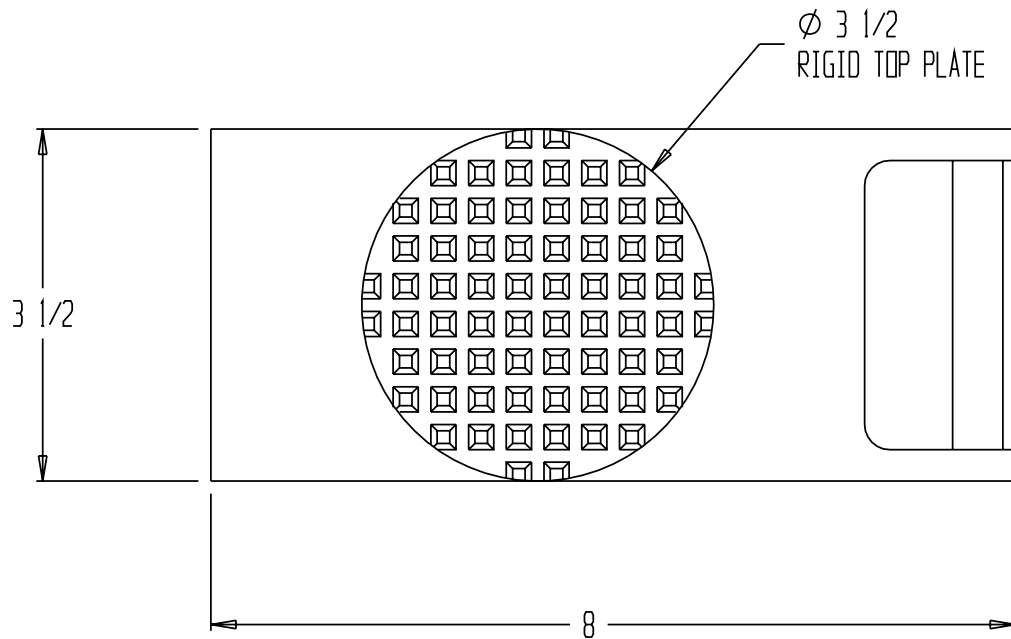


STEEL MACHINE ROLLER, VHMS-2



STANDARD FEATURES

MODEL NUMBER: VHMS-2
 CAPACITY: 2,000 LBS.
 OVERALL WIDTH: 3 1/2"
 OVERALL LENGTH: 8"
 OVERALL HEIGHT: 3 1/4"
 RIGID Ø 3 1/4" TOP PLATE

MACHINE ROLLER HANDLES SOLD SEPERATELY

SPECIAL FEATURES

NONE

**SPECIAL UNITS ARE NON-RETURNABLE
 *AVAILABLE AT ADDITIONAL COSTS

LEAD TIME WILL START UPON
 RECEIPT OF SIGNED APPROVAL
 DRAWING

APPROVAL

I, the undersigned, hereby approve this print
 As drawn As marked
 This includes my approval of design & dimensions.
 Signed: _____
 Date: _____

DISTRIBUTOR'S NAME:		P.O.#: -
VESTIL MANUFACTURING		W.O.#: -
DRAWN BY: SR	DATE: 8-31-05	SALES: -
REFERENCE:		DRWG./FILE NAME:
-	SCALE: 1:2	VHMS-2